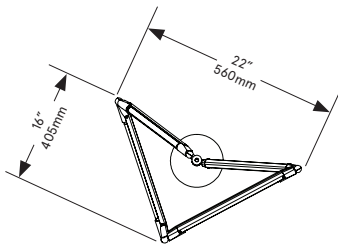
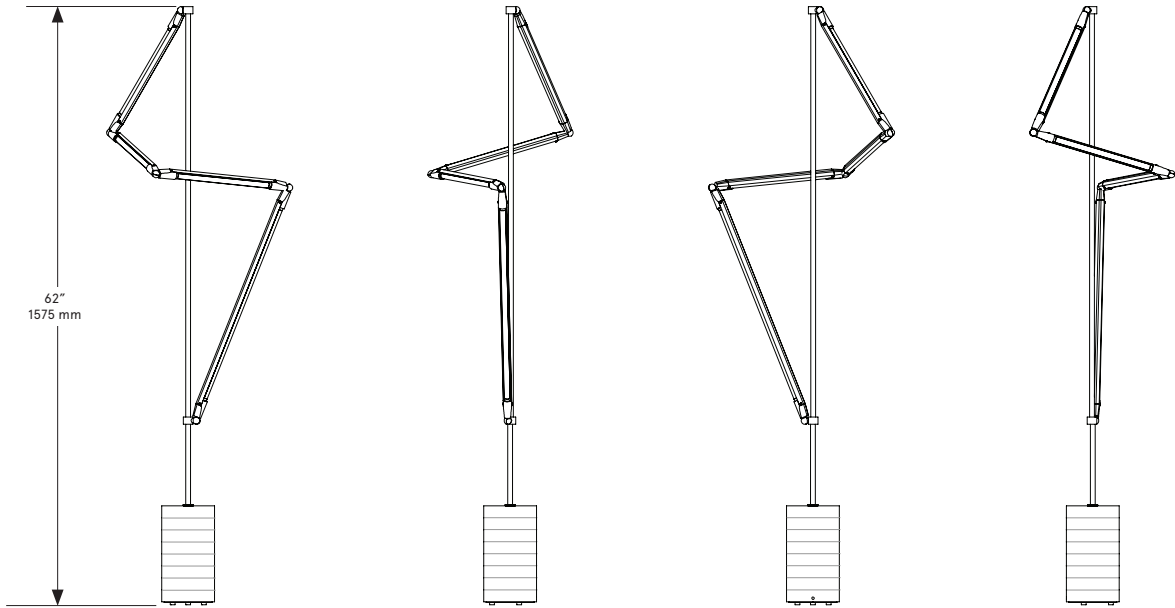


# BEC BRITAIN



PLAN

## Helix Floor

### *Lead Time*

14 - 16 weeks

### *Dimensions*

22 inch x 16 inch x 62 inch H  
560 mm x 405 mm x 1575 mm H

### *Weight*

28 lb/12.6 kg

### *LED Illumination*

24 VDC T5 LED tube  
CRI 90

### *Color Temperature*

2700 Kelvin

### *Wiring*

Wired with one floor switch and one plug-in transformer (3" x 2" x 1.25").  
Dimmer available at additional cost.

### *Electrical - Total*

Wattage: 15 Watt  
Lumens: 1200 Lumens

### *Input Voltage*

110 - 240 VAC

ETL listed to UL, CE, and CSA standards

### *Materials*

Finished Brass

### *Standard Finishes*

Brushed Brass  
Oil-Rubbed Bronze  
Satin Nickel  
Nickel Brass Contrast

### *Special Order Finishes*

Polished Brass  
Medium Antique Brass  
Polished Nickel  
Dark Pewter  
Polished Black Nickel  
Polished Copper

### *Base Finishes*

White Marble, Black Marble,  
Absolute Black Granite,  
Striped White Marble/Granite