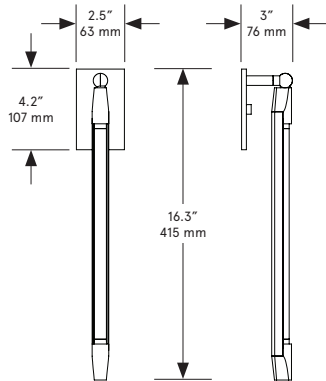
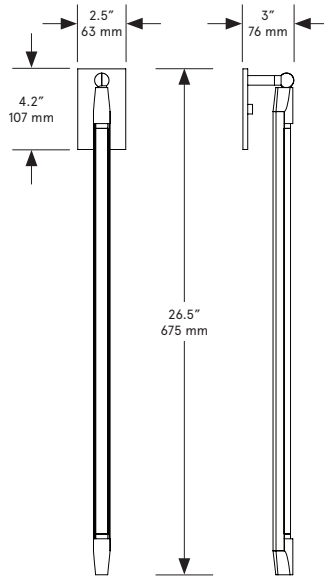


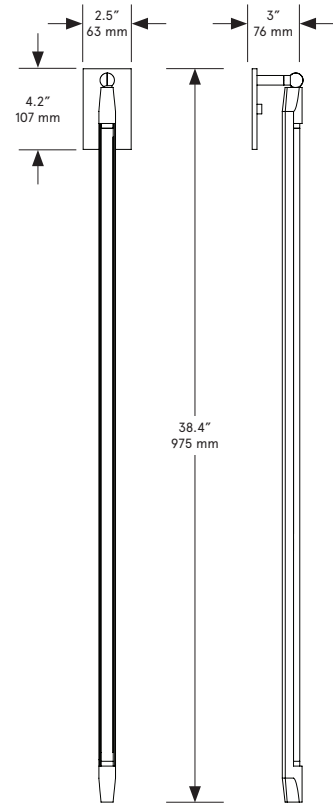
# BE C BRITAIN



SHY Sconce 1'



SHY Sconce 2'



SHY Sconce 3'

## SHY Sconces

### *Lead Time*

8 - 10 weeks Standard Finish  
14 - 16 weeks Special Order

### *Dimensions*

Indicated in the drawings above

### *Weight*

1': 2.8 lb/1.3 kg  
2': 3 lb/1.4 kg  
3': 3.5 lb/1.6 kg

### *LED Illumination*

24 VDC T5 LED tube  
2700 Kelvin  
90 CRI

### *Installation - Standard*

Remote: Backplate mounts directly to standard US single gang box  
Local: Refer to installation diagram

### *Backplate*

Remote: 2.5 x 4.2 inch / 63 x 107 mm in matching metal finish  
Local: 3 x 12.5 inch (76 x 317 mm) in matching metal finish at additional cost

### *Electrical - Total*

Wattage: 3 / 6 / 9 Watt  
Lumens: 240 / 480 / 720  
110 - 240 VAC  
277 VAC upon request

0-10V dimming upon request

ETL listed to UL, CE, and CSA standards  
Suitable for damp locations

### *Materials*

Finished Brass

### *Standard Finishes*

Brushed Brass  
Oil-Rubbed Bronze  
Satin Nickel  
Nickel Brass Contrast  
Polished Nickel

### *Special Order Finishes*

Polished Brass  
Medium Antique Brass  
Dark Pewter  
Polished Black Nickel  
Polished Copper