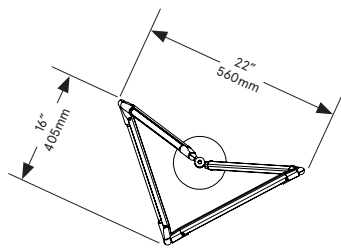
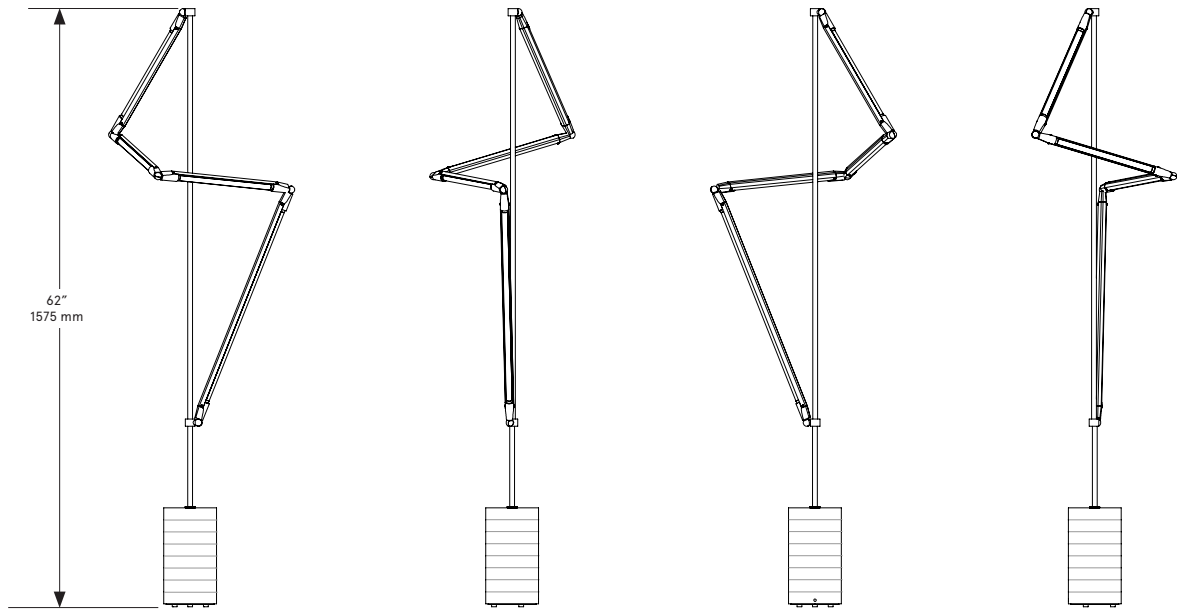


BE CB RIT TAIN



PLAN

Helix Floor

Lead Time

14 - 16 weeks

Dimensions

22 inch x 16 inch x 62 inch H
560 mm x 405 mm x 1575 mm H

Weight

28 lb/12.6 kg

LED Illumination

24 VDC T5 LED tube
CRI 90

Color Temperature

2700 Kelvin

Wiring

Wired with one floor switch and one plug-in transformer (3" x 2" x 1.25").
Dimmer available at additional cost.

Electrical - Total

Wattage: 15 Watt
Lumens: 1200 Lumens

Input Voltage

110 - 240 VAC

ETL listed to UL, CE, and CSA standards

Materials

Finished Brass

Standard Finishes

Brushed Brass
Oil-Rubbed Bronze
Satin Nickel
Nickel Brass Contrast

Special Order Finishes

Polished Brass
Medium Antique Brass
Polished Nickel
Dark Pewter
Polished Black Nickel
Polished Copper
Smoky Copper

Base Finishes

White Marble, Black Marble,
Absolute Black Granite,
Striped White Marble/Granite